

COMPACT SHREDDER KPS

SMALL AND COMPACT SHREDDER FOR LONG PIECES

The KPS shredder is a compact single-shaft shredder with an elongated material feed chute. A feed roller is installed in the feeding chute, which automatically feeds the long parts to the rotor. The massive rotor is equipped with interchangeable knives. With its sturdy machine housing and design, the shredder offers additional value through longevity and simple tool and screen changing.



Easy access to the grinding chamber ensures a quick and easy tool and screen change.

✓ ALL BENEFITS AT A GLANCE

- Stable steel construction
- Easy and quick to change knives and screen segments
- Consistent cutting quality
- Massive feed roller
- Compact design

✓ AREAS OF APPLICATION

- Plastics profiles and pipes
- Long wood pieces



✓ PROCESSED MATERIAL FRACTIONS

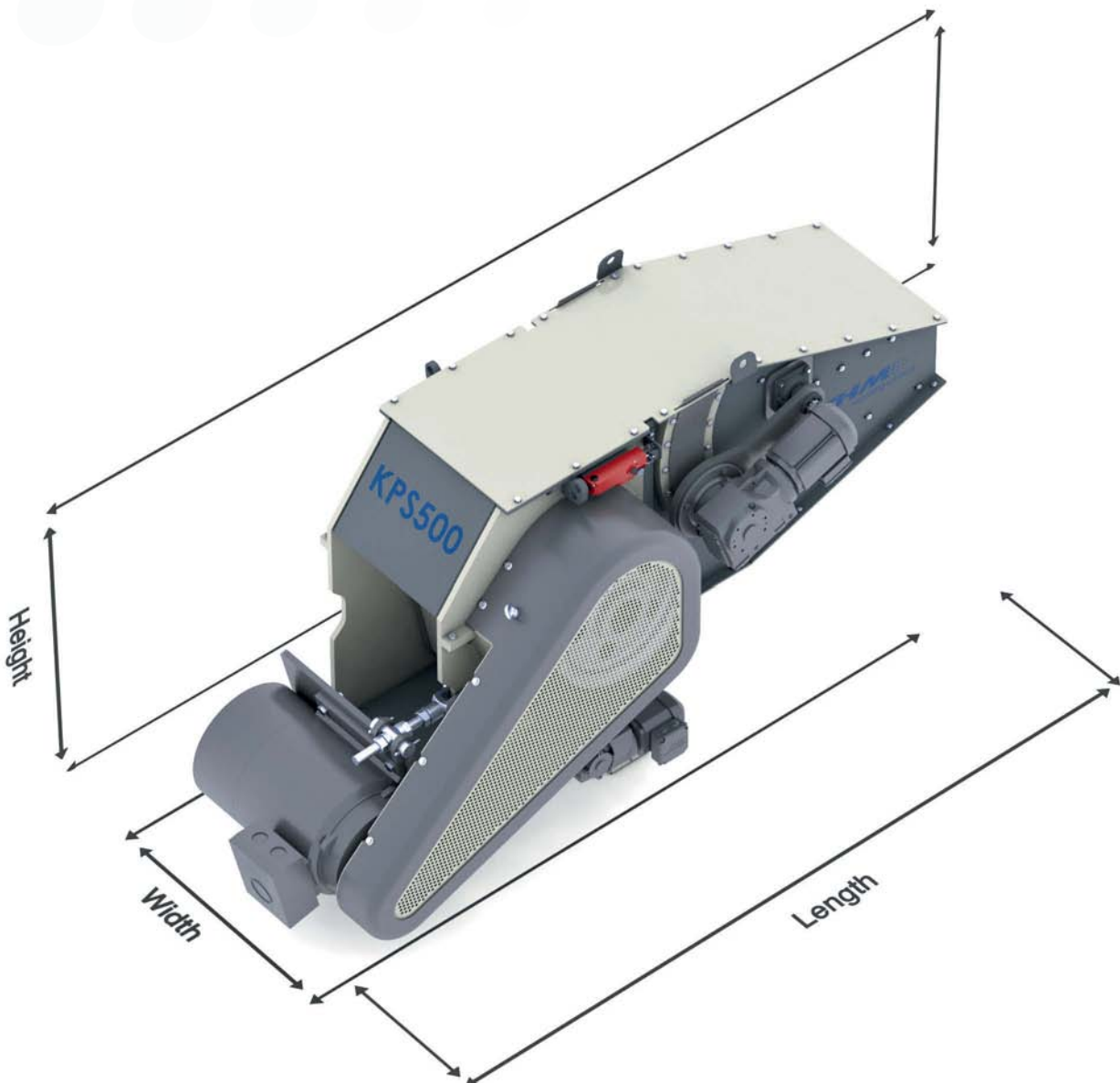


- Easy to change screen segments ensures a defined particle size of the shredded material
- Granules and flakes 10 - 40 mm

i TECHNICAL SPECIFICATION



Type	Power	Rotor Ø	Length of rotor	Dimensions (LxWxH)	Feed opening (WxH)	Weight
KPS500	30 kW	320 mm	500 mm	approx. 2620 x 980 x 1340 mm	approx. 300x 300 mm	approx. 2 t



COMPACT SHREDDER KPS



Service & Support
+49 (0) 72 62 / 92 43 -200

www.thm-rs.com
info@thm-rs.de

