

## BIO TQZ

### THE SUCCESS MODEL FOR A HIGH GAS YIELD

Quality makes the difference when producing biogas. If one wants to produce biogas efficiently, then substrate is requested that produces sufficient methane in high quality. The BIO TQZ from THM produces the necessary quality. In distinction to a conventional cutting mill, the Bio-TQZ does not cut the input materials with knives but size reduced it with a rotating chain. The rotating chain destroys the fibres of the plant materials/craps, and breaks up the structure of the plant cells. The result is a homogeneous substrate which is decomposed – by bacteria - much faster and produces a much higher output of biogas. Foreign substances can be separated subsequently



In a cylindrical vertical grinding chamber rotating chain elements hits and accelerates the input material.

#### ✓ ALL BENEFITS AT A GLANCE

- Higher efficiency through less dwell time of the substrate in the fermenter and increased gas yield
- High throughput capacity up to 10 t/h
- Cost savings by avoiding the use of an additional mixer
- Safe separation of contaminants such as plastic bags and packaging from the organic material
- Recycling of difficult input materials
- No floating layer at the fermenter
- Low cost tools
- Minimal wear costs

#### ✓ AREAS OF APPLICATION

- Liquid manure, cow / horse dung with straw
- organic waste
- food scraps
- packed foods
- fruits and vegetables (beyond expiration date)

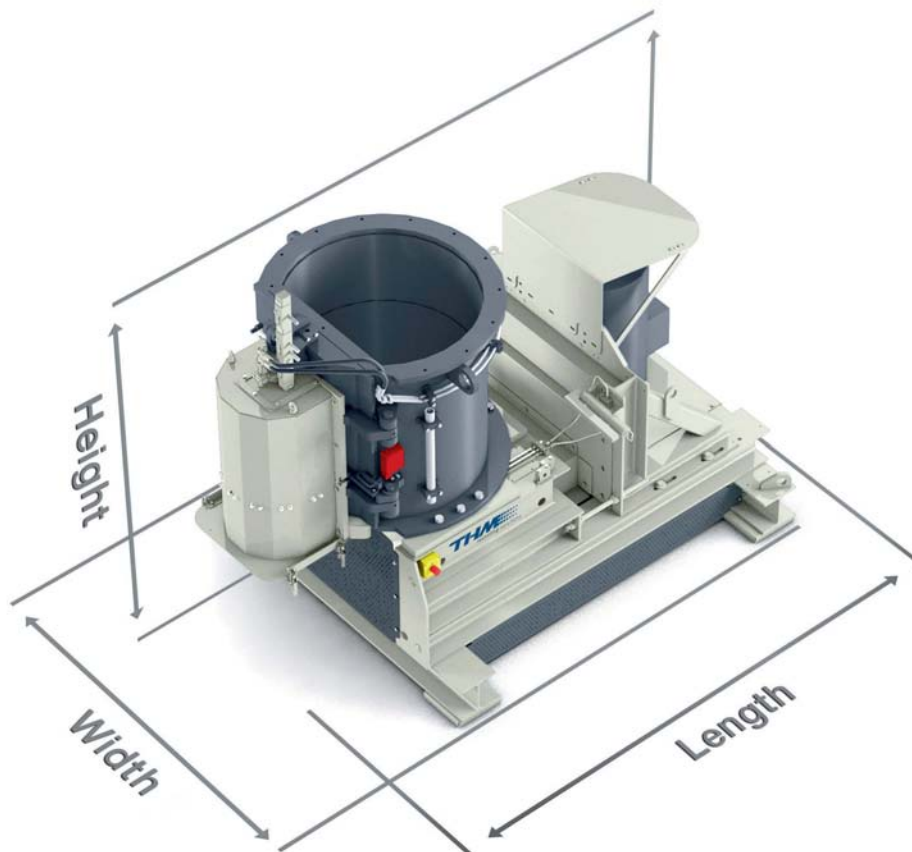


✓ PROCESSED MATERIAL FRACTIONS

- Homogeneous pumpable substrate of any consistency through adjustable dwell time and adding of liquid materials.

i TECHNICAL SPECIFICATION

Type	Power	Kettle Ø	Discharge opening	Dimension (L / W / H)	Weight
TQZ 900 Bio	55 / 75 kW	900 mm	approx. 300 x 350 mm	approx. 2720 x 1800 x 2300 mm	approx. 4 t
TQZ 1200 Bio	75 kW	1200 mm	approx. 300 x 350 mm	approx. 2950 x 1800 x 2300 mm	approx. 5 t



BIO TQZ

